



Product designation

Auxiliary  
contactor  
BF00

Product type designation

**Contact characteristics**

Number of poles	Nr.	4
Rated insulation voltage $U_i$ IEC/EN	V	690
Rated impulse withstand voltage $U_{imp}$	kV	6

Operational frequency

min	Hz	25
max	Hz	400

IEC Conventional free air thermal current $I_{th}$	A	10
Short-time allowable current for 10s (IEC/EN60947-1)	A	0

Protection fuse

gG (IEC)	A	25
----------	---	----

Tightening torque for terminals

min	Nm	1.5
max	Nm	1.8
min	Ibin	1.1
max	Ibin	1.5

Tightening torque for coil terminal

min	Nm	0.8
max	Nm	1
min	Ibin	0.8
max	Ibin	0.74

Max number of wires simultaneously connectable	Nr.	2
--	-----	---

Conductor section

AWG/Kcmil	max	10
-----------	-----	----

Flexible w/o lug conductor section	min	mm <sup>2</sup>	1
	max	mm <sup>2</sup>	6

Flexible c/w lug conductor section	min	mm <sup>2</sup>	1
	max	mm <sup>2</sup>	4

Flexible with insulated spade lug conductor section	min	mm <sup>2</sup>	1
	max	mm <sup>2</sup>	4

Power terminal protection according to IEC/EN 60529	IP20 when wired
---	-----------------

**Mechanical features**

Operating position

normal allowable	Vertical plan ±30°
---------------------	-----------------------

Fixing	Screw / DIN rail 35mm
--------	--------------------------

Weight	g	500
--------	---	-----

Conductor section	AWG/kcmil conductor section		
	max	10	
<b>Auxiliary contact characteristics</b>			
Thermal current I <sub>th</sub>	A	10	
IEC/EN 60947-5-1 designation	A600 - P600		
Operating current AC15	230V	A	3
	400V	A	1.9
	500V	A	1.4
Operating current DC12	110V	A	5.7
Operating current DC13	24V	A	5.7
	48V	A	2.9
	60V	A	2.3
	110V	A	1.25
	125V	A	1.1
	220V	A	0.55
	600V	A	0.2
<b>Operations</b>			
Mechanical life	cycles		20000000
<b>Safety related data</b>			
Performance level B10d according to EN/ISO 13489-1	mechanical load	cycles	20000000
Mirror contacts according to IEC/EN 60947-4-1			YES
EMC compatibility			yes
<b>DC coil operating</b>			
DC rated control voltage	V	24	
DC operating voltage	pick-up		
	min	%Us	80
	max	%Us	110
	drop-out		
	min	%Us	10
	max	%Us	40
Average coil consumption =20°C	in-rush	W	2.4
	holding	W	2.4
<b>Max cycles frequency</b>			
Mechanical operation	cycles/h		3600
<b>Operating times</b>			
Average time for U <sub>s</sub> control	in DC		
	Closing NO		
	min	ms	75
	max	ms	91
	Opening NO		
	min	ms	15
	max	ms	19
	Closing NC		
	min	ms	24
	max	ms	30

Opening NC

min	ms	67
max	ms	81

**UL technical data**

General USE

Auxiliary contacts

AC current	A	10
------------	---	----

Contact rating of auxiliary contacts according to UL

A600 - P600

**Ambient conditions**

Temperature

Operating temperature

min	°C	-50
max	°C	70

Storage temperature

min	°C	-60
max	°C	80

Max altitude

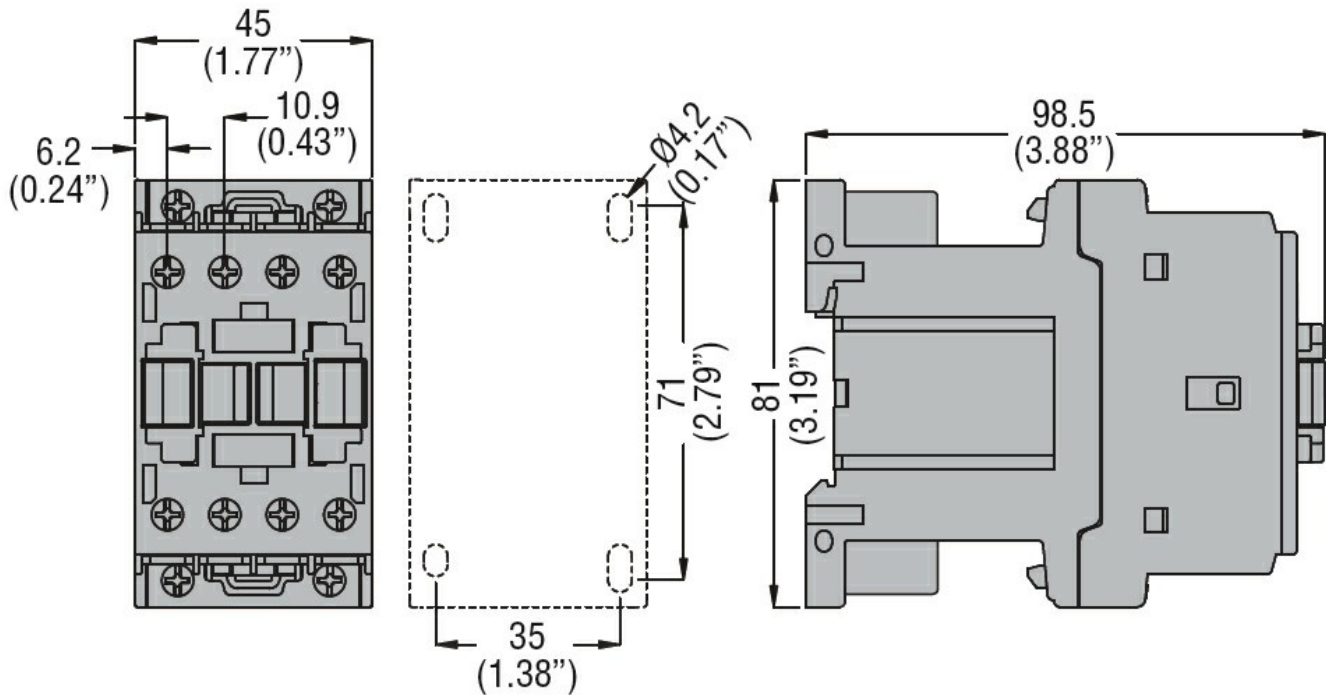
m	3000
---	------

**Resistance & Protection**

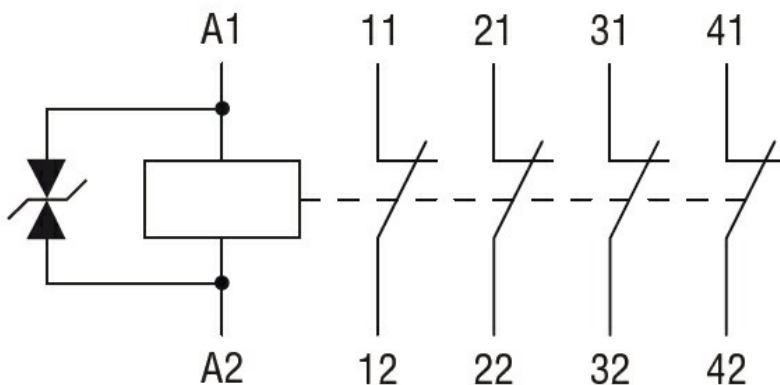
Pollution degree

3

**Dimensions**



**Wiring diagrams**



**Certifications and compliance**

Compliance

CSA C22.2 n° 60947-1

CSA C22.2 n° 60947-5-1

IEC/EN 60947-1

IEC/EN 60947-5-1

UL 60947-1

UL 60947-5-1

Certificates

CCC

cULus

EAC

**ETIM classification**

ETIM 8.0

EC000196 -  
Contactor relay